

### Specification

- Model No: NLED-CL1010
- Description: LED FLUSH MOUNT LIGHT 10"
- Power: 10 W
- Voltage: DC18-49V
- Lumen: 800lm
- CCT: 4000K Natural White
- CRI: Ra>80
- Operating Temp.: N/A
- PF Rating: 0.9>PF
- Dimmable: No
- Style: Modern
- LED Type: SMD2835
- Certificate: cUL
- Luminous Efficacy: 80lm/W
- Warranty: 3 years
- Beam Angle: /
- Life Span: 20 years

PROJECT NAME	
PRODUCT NAME	LED FLUSH MOUNT LIGHTS
NOTES	MERCURY FREE
FIXTURE TYPE	FLUSH MOUNT



### Information

Model No.	Description	Power	Voltage	Driver	CCT	Lumen	Certificate
NLED-CL1010	LED FLUSH MOUNT LIGHT 10"	10 W	100-240V	Included	4000K	800lm	cUL

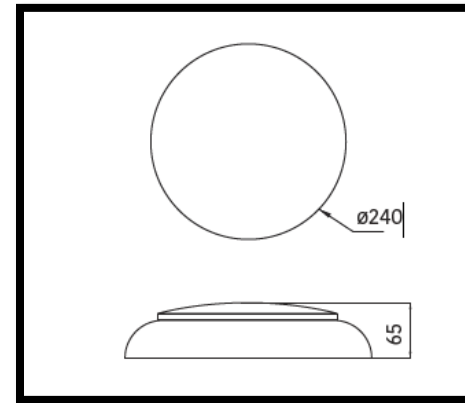
**Notes**

1. LED flush mount light offers No flicker of light, no glare. It offers even distribution
2. Elegant design and all components are made from aluminum that contributes for light weight and high quality
3. Generate low heat made from Aluminum that has better heat dissipation function.
4. Used for indoor lighting such as school, offices, hotels etc.

**Dimensions**

Product Dimension	L X W X H
NLED-CL1010	11.81" x 10" x 2.5"

Outer Carton Size	L X W X H
NLED-CL1010	12.4" x 11.7" x 3.9"
Net Weight (lbs)	1.1 lbs
Net Weight (lbs)	1.9 lbs



**NLED FLUSH MOUNT LIGHT 10"**

